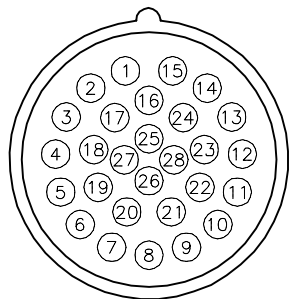


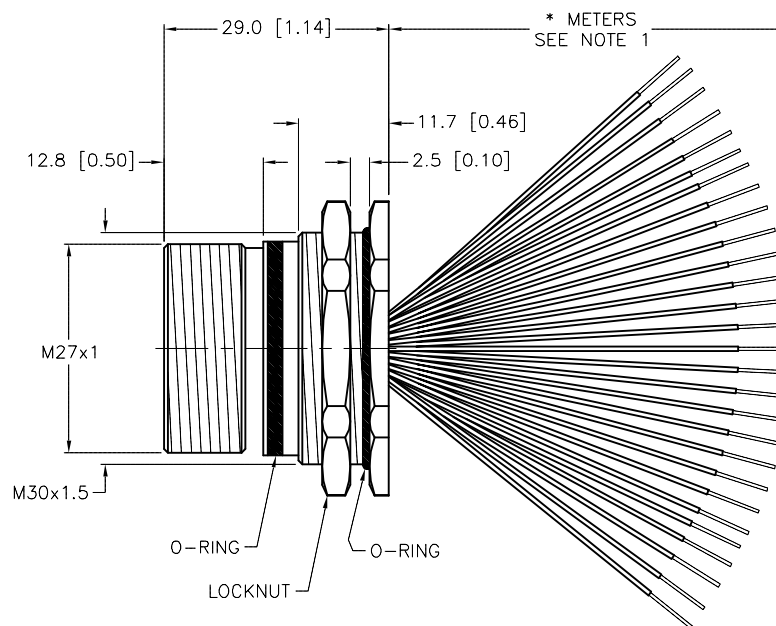
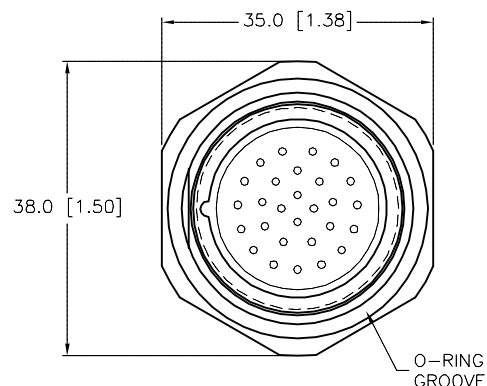
FEMALE END VIEW



- | | |
|------------------|-------------------|
| 1 = BROWN | 15 = BLUE |
| 2 = WHITE/GREY | 16 = BLACK/GREY |
| 3 = BLUE/GREY | 17 = BROWN/ORANGE |
| 4 = BROWN/GREY | 18 = WHITE/ORANGE |
| 5 = BLACK/YELLOW | 19 = BLACK/ORANGE |
| 6 = WHITE/YELLOW | 20 = BLACK/GREEN |
| 7 = BLUE/YELLOW | 21 = WHITE/GREEN |
| 8 = BROWN/YELLOW | 22 = BLUE/GREEN |
| 9 = BLACK/RED | 23 = BROWN/GREEN |
| 10 = WHITE/RED | 24 = BLUE/ORANGE |
| 11 = BLUE/RED | 25 = GREEN/YELLOW |
| 12 = BROWN/RED | 26 = GREY |
| 13 = BLACK | 27 = ORANGE |
| 14 = WHITE | 28 = GRAY/PINK |

SPECIFICATIONS

CONTACT CARRIER MATERIAL	NYLON or PBT
CONTACT MATERIAL/PLATING	BRASS/GOLD
RECEPTACLE HOUSING MATERIAL/PLATING	BRASS/NICKEL
RATED CURRENT [A]	3.0 A
RATED VOLTAGE [V]	150 V
CONDUCTOR INSULATION MATERIAL	PVC
NUMBER OF CONDUCTORS [AWG]	28x22 AWG
TEMPERATURE	-30°C TO +105°C (-22°F TO +221°F)
PROTECTION CLASS	IEC IP65
MOUNTING HOLE	ø30.0mm [1.18"]



* METERS
SEE NOTE 1

CABLE LENGTH	TOLERANCE*
ALL LENGTHS	+ 4% (OR 50mm) OF LENGTH - 0% (OR 0mm) OF LENGTH WHICHEVER IS GREATER
STRIP LENGTH	TOLERANCE*
0-7mm	±0.5mm
8-29mm	±1.0mm
30-49mm	±2.0mm
50-69mm	±3.0mm
70-100mm	±4.0mm
OVER 100mm	±5.0mm

* UNLESS OTHERWISE SPECIFIED

NOTES:

1. "*" INDICATES LEAD LENGTH IN METERS. CONTACT TURCK TO ORDER SPECIFIC LENGTHS.

SOURCE DRAWING - FOR REFERENCE ONLY

RELATED DOCUMENTS 1. 2. 3. 4.	3RD ANGLE PROJECTION 	THIS DRAWING IS CONFIDENTIAL AND THE PROPERTY OF TURCK INC. USE OF THIS DOCUMENT WITHOUT WRITTEN PERMISSION IS PROHIBITED.		TURCK INC High Technology Sensors and Automation Controls 3000 CAMPUS DRIVE MINNEAPOLIS, MN 55441 1-800-544-7769 (763) 553-7300 (763) 553-0708 fax turck.com	
		DRFT	RDS	DATE	12/20/10
MATERIAL SEE SPECIFICATIONS	ALL DIMENSIONS DISPLAYED ON THIS DRAWING ARE FOR REFERENCE ONLY	APVD	SCALE	DESCRIPTION DKFD 28-28-*	
FINISH SEE SPECIFICATIONS		UNIT OF MEASUREMENT MILLIMETER [INCH]		IDENTIFICATION NO.	REV C
C	UPDATE RATED CURRENT SPECIFICATIONS	KMY	12/26/13	44390	
REV	DESCRIPTION	BY	DATE	ECO NO.	
DO NOT SCALE THIS DRAWING				FILE: 777027068	SHEET 1 OF 1